

EXAMINATION PROCEDURE OUTLINE (EPO) NO. 8

Small Capacity Scales (less than 2,000 lb Capacity) BPC Div. 5, 4 CCR § 4000. 1.10. General Code, and 4 CCR § 4000. 2.20. Scales Code

The California Department of Food & Agriculture (CDFA) Division of Measurement Standards (DMS) recommends that this Examination Procedure Outline (EPO) be followed as the minimum criteria for examining Accuracy Class III and unmarked electronic digital indicating and mechanical analog-indicating retail computing and non-computing counter and platform scales with typical capacities less than 2,000 lb.

This EPO does not cover Accuracy Class I and II scales including unmarked jeweler's, prescription, and grain test scales; or scales with capacities 2,000 lb or greater.

Requirements that apply only to scales marked with an accuracy class are indicated with an asterisk (*). Non-retroactive requirements are followed by the applicable date in parentheses, e.g., **REF: (NR 01/01/18)**.

NOTES:

1. Through Business and Professions Code (BPC) § 12107, the Secretary of CDFA adopts the most current edition of the National Institute of Standards and Technology Handbook 44 (HB 44) with additional language and exceptions.
2. Enforcement action notices (Notice of Violations, Administrative Actions, and Citations) must include the appropriate BPC authority section(s) and include the applicable California Code of Regulations (CCR) section(s) [note: DMS regulations are in Title 4 of the CCR]. Please see the examples below.
 - BPC § 12107; Title 4 CCR § 4000.
 - Commercial weighing and measuring devices shall, except where noted, conform to the latest requirements set forth in the National Institute of Standards and Technology Handbook 44 "Specifications, Tolerances, and Other Technical Requirements for Weighing and Measuring Devices."
 - Example: Title 4 California Code of Regulations § 4000 [1.10.] G-UR.4.1. Maintenance of Equipment.
 - BPC § 12107; Title 4 CCR § 4002.
 - Language added to HB 44 is prefaced with CCR section (§) 4002.X.
 - Example: Title 4 California Code of Regulations § 4002.2. Scales (2.20.) (d) Customer's Indication.

EPO No. 8 - Small Capacity Scales (less than 2,000 lb Capacity)
BPC Div. 5, 4 CCR § 4000. 1.10. General Code, and
4 CCR § 4000. 2.20. Scales Code

- BPC § 12107; Title 4 CCR § 4001.
 - Exceptions to HB 44 language are prefaced with CCR section (§) 4001.X.
 - Example: Title 4 California Code of Regulations § 4001. [1.10.] G-S.1.2. Remanufactured Devices and Remanufactured Main Elements.
- 3. Be aware of Title 4 CCR § 4000 [1.10.] General Code paragraph G-N.1. Conflict of Laws and Regulations.
- 4. Weighmaster requirements can be found in the DMS Weighmaster Program Manual.
- 5. DMS issues Policy Letters and Notices to aid in clarification, provide instruction, and make recommendations to the County Sealers. Many of these notices can be found at: <https://www.cdfa.ca.gov/dms/notices/notices.html>
- 6. Safety Notes and Reminders have been included for reference. **It is essential that inspectors become familiar with their employer's safety policies. Some facilities have specific safety requirements that must be followed.**
- 7. Periodic changes to the procedures will be made to accommodate code changes and new developments in device technology. **Before issuing a Notice of Violation (NOV), It is imperative that inspectors verify the violations, including referencing updated requirements.**

**EPO No. 8 - Small Capacity Scales (less than 2,000 lb Capacity)
BPC Div. 5, 4 CCR § 4000. 1.10. General Code, and
4 CCR § 4000. 2.20. Scales Code**

Table of Contents

| | |
|--|-----------|
| TABLE OF ABBREVIATIONS | 5 |
| SAFETY NOTES | 6 |
| EPO 8 – A. Small Capacity Scales (Less than 2,000 lb Capacity)..... | 8 |
| PRE-TEST CONSIDERATIONS | 8 |
| PRE-TEST INSPECTION..... | 9 |
| 1. Type Approval | 9 |
| 2. Identification Markings..... | 9 |
| 3. Additional Marking Requirements..... | 10 |
| 4. Selection..... | 11 |
| 5. Indicating and Recording Elements..... | 13 |
| 6. Indicated & Recorded Representation of Units..... | 14 |
| 7. Recorded Representations..... | 15 |
| 8. Weighing Elements..... | 15 |
| 9. Provision for Sealing..... | 15 |
| PRE-TEST DETERMINATIONS..... | 17 |
| 6. Sensitivity (Weighbeam scales only)..... | 18 |
| 7. Repeatability Tolerances..... | 19 |
| TEST NOTES..... | 21 |
| 1. Conflict of Laws & Regulations..... | 21 |
| 2. Testing with Non-Associated Equipment..... | 21 |
| 3. Zero Load Balance | 21 |
| 5. Repeatability..... | 21 |
| TESTS – Electronic & Mechanical Scales..... | 23 |
| POST-TEST TASKS | 27 |
| 1. Security Means..... | 27 |
| 2. Results | 27 |
| 3. Clean up..... | 27 |
| 4. Documentation | 27 |
| EPO 8 – B. Point-of-Sale (POS) Systems..... | 28 |
| Appendix A: MOTION DETECTION REQUIREMENTS..... | 32 |

EPO No. 8 - Small Capacity Scales (less than 2,000 lb Capacity)
BPC Div. 5, 4 CCR § 4000. 1.10. General Code, and
4 CCR § 4000. 2.20. Scales Code

| | |
|--|-----------|
| Appendix B: AUTOMATIC ZERO-TRACKING & WIDTH OF ZERO | 33 |
| Appendix C: DISCRIMINATION TEST AT OR NEAR ZERO LOAD | 34 |
| Appendix D: DISCRIMINATION TEST AT OR NEAR CAPACITY | 35 |
| Appendix E: TOLERANCE VALUES | 36 |
| Appendix F: CATEGORIES OF DEVICE METHODS OF SEALING | 39 |

**EPO No. 8 - Small Capacity Scales (less than 2,000 lb Capacity)
BPC Div. 5, 4 CCR § 4000. 1.10. General Code, and
4 CCR § 4000. 2.20. Scales Code**

TABLE OF ABBREVIATIONS

| <u>Abbreviation</u> | <u>Meaning</u> |
|---------------------|--|
| A | Application requirements of a code |
| BPC | Division 5 of the California Business and Professions Code - Weights and Measures |
| CC | National Type Evaluation Certificate of Conformance |
| CCR or § 4000 | Title 4, Division 9 of the California Code of Regulations |
| CTEP | California Type Evaluation Program |
| EPO | Examination Procedure Outline |
| G | General Code paragraph |
| G-A | General Code Application paragraph |
| G-N | General Code Test paragraph |
| G-S | General Code Specifications paragraph |
| G-T | General Code Tolerances paragraph |
| G-UR | General Code User Requirements paragraph |
| HB 44 | NIST Handbook 44 |
| N | Notes for official test procedure paragraphs |
| NR | Non-retroactive |
| NTEP | National Type Evaluation Program |
| REF | Code Reference(s) used for enforcement of BPC and CCR |
| RSA | Registered Service Agency |
| S | Specification paragraphs – design requirements |
| T | Tolerance paragraphs- performance requirements |
| UR | User requirement paragraphs applicable to the selection, use installation and maintenance requirements |

EPO No. 8 - Small Capacity Scales (less than 2,000 lb Capacity)
BPC Div. 5, 4 CCR § 4000. 1.10. General Code, and
4 CCR § 4000. 2.20. Scales Code

SAFETY NOTES

The inspector is reminded of the importance of evaluating potential safety hazards prior to an inspection and taking adequate precautions to avoid personal injury or damage to property, equipment, or the device. As a minimum, the following safety precautions should be noted and followed during the inspection. Safety policies and regulations vary among jurisdictions. **It is essential that inspectors or servicepersons be aware of all safety regulations and policies in place at the inspection site and to practice their employer's safety policies.** The safety reminders included in this EPO contain general guidelines useful in alerting inspectors and servicepersons to the importance of taking adequate precautions to avoid personal injury. These guidelines can only be effective in improving safety when coupled with training in hazard recognition and control.

Personal Protection Equipment

e.g. – Safety Shoes, Safety Aprons, Gloves, Eye Protection, Hard Hat, etc. if necessary

Transportation of Equipment

Lifting

Location

Wet/Slick Conditions, Chemicals, Petroleum Product, Hazardous Materials, Obstructions.

Emergency Procedures

First Aid Kit

Electrical Hazards

Fire Extinguisher

EPO No. 8 - Small Capacity Scales (less than 2,000 lb Capacity)
BPC Div. 5, 4 CCR § 4000. 1.10. General Code, and
4 CCR § 4000. 2.20. Scales Code

SAFETY REMINDER!!!

- Become familiar with and follow safety guidelines.
- Check the inspection site carefully for safety hazards and take appropriate precautions.
- If leaks, spills, exposed wiring, etc. cause hazardous testing conditions, it is recommended that the testing be discontinued until the unsafe conditions are corrected.
- Learn the nature of hazardous products used at, or near, the inspection site.
- Obtain and read copies of Safety Data Sheets (SDS) (formerly Material Safety Data Sheets).
- Use caution when moving in wet, slippery areas.
- Use personal protection equipment appropriate for the inspection site.
- Be sure that a first aid kit is available and that the kit is appropriate for the type of inspection activity.
- Remember the requirements in 4 CCR § 4000 [1.10.] General Code paragraph G-N.1. Conflict of Laws and Regulations. states that provisions of these specifications, tolerances, and other requirements are found to conflict with existing state laws, or with existing regulations or local ordinances relating to health, safety, or fire prevention, the enforcement of such provisions shall be suspended until conflicting requirements can be harmonized. Such suspension shall not affect the validity or enforcement of the remaining provisions of these specifications, tolerances, and other requirements.

EPO No. 8 - Small Capacity Scales (less than 2,000 lb Capacity)
BPC Div. 5, 4 CCR § 4000. 1.10. General Code, and
4 CCR § 4000. 2.20. Scales Code

EPO 8 – A. Small Capacity Scales (Less than 2,000 lb Capacity)

PRE-TEST CONSIDERATIONS

- ASTM E617 Class 6, OIML Class M₁ or NIST Class F Mass Standards – 105-1 (2019 Edition) or other suitable and designated standards or the tolerances expressed in Appendix A Fundamental Considerations in paragraph 3.2. Tolerance for standards. See also DMS Notice M-19-02.
- Mass standards (test weights) must be issued a current certificate of accuracy by laboratories in compliance with BPC Sections 12314 and 12534, and CCR Section 4086.
- Minimum Test Weights. REF: HB 44 [2.20] N.3., Table 4. Minimum Test Weights and Test Loads
 - 105% device capacity field standards for scales with a capacity up to 300 lb; and
 - 25% device capacity or 300 lb (whichever is greater) field standards, and test loads up to 75% scale capacity for scales with capacities between 301 - 2,000 lb.
- Check to be sure the scale foundation is adequate to support the scale and test weights!
- Security Seals and seal press, if needed.
- Error Weights:
 - Should be no greater than 0.1e for zero-tracking and discrimination tests.
 - 0.5 e or 1.0 e can be used in conjunction with the 0.1 e or 0.2 e error weights.
 - NOTE: 0.2 e increments may be used if smaller weights are not available.
- Refer to: [NIST Handbook 105-1: Specifications and Tolerances for Field Standard Weights - Rev. 2019.](#)

Note: Computing scales are those that indicate money values for an amount of product weighed at predetermined unit prices throughout all or part of the weighing range of the scale.

EPO No. 8 - Small Capacity Scales (less than 2,000 lb Capacity)
BPC Div. 5, 4 CCR § 4000. 1.10. General Code, and
4 CCR § 4000. 2.20. Scales Code

PRE-TEST INSPECTION

1. Type Approval: CTEP or NTEP Certificate of Conformance. **REF: BPC § 12500.5**

- For devices with an NTEP CC, see Identification Markings.
 - CTEP devices are not required to be marked with CTEP Certificate of Approval number and must be verified using the make and model (e.g. CTEP database at <https://www.cdfa.ca.gov/dms/programs/ctep/ctep.html>).
- Unapproved devices are not to be tested or sealed by weights and measures officials. Yellow “unapproved device” tags are to be affixed to devices which are not approved.
REF: BPC § 12500.10

NOTE: Follow your County protocols regarding “non-commercial” devices (e.g. High School Wrestling scales).

2. Identification Markings:

- Lettering. **REF: § 4000. [1.10.] G-S.7.**
 - All required markings and instructions shall be distinct and easily readable and shall be of such character that they will not tend to become obliterated or illegible.
- Visibility of identification. **REF: § 4000. [1.10.] G-UR.2.1.1.**
- Name, initials, or trademark of manufacturer or distributor.
REF: § 4000. [1.10.] G-S.1.(a) Retroactive
- Model identifier. **REF: § 4000. [1.10.] G-S.1.(b) Retroactive**
- Model identifier prefix, acceptable abbreviations for “model” and “number”.
REF: § 4000. [1.10.] G-S.1.(b)(1)(NR 1/1/ 03)
- Nonrepetitive serial number. **REF: § 4000. [1.10.] G-S.1.(c) (NR 1/1/68)**
- Serial number prefix. **REF: § 4000. [1.10.] G-S.1.(c)(1) (NR 1/1/86)**
- Acceptable abbreviations for “Serial” and “Number”.
REF: § 4000. [1.10.] G-S.1.(c)(2) (NR 1/1/01)
- Current Software Version or Revision Identifier (for not-built-for-purpose software-based devices). **REF: § 4000. [1.10.] G-S.1.(d) (NR 1/1/04)**
 - Software version or identifier preface (for not-built-for-purpose software-based devices). **REF: § 4000. [1.10] G-S.1.(d), G-S.1.(d)(1) i (NR 1/1/07), G-S.1.(d)(1)ii (NR 1/1/16), and G-S.1.(d)(2) (NR 1/1/16)**
- Acceptable abbreviations for version, revision, and number.
REF: § 4000. [1.10.] G-S.1.d.(2) (NR 1/1/03)
- NTEP CC number (for devices that have an NTEP CC). **REF: § 4000. [1.10.] G-S.1.(e)**

EPO No. 8 - Small Capacity Scales (less than 2,000 lb Capacity)
BPC Div. 5, 4 CCR § 4000. 1.10. General Code, and
4 CCR § 4000. 2.20. Scales Code

- Prefix and acceptable abbreviations.
REF: § 4000. [1.10.] G-S.1.(e)(1) (NR 1/1/03)
- Accuracy Class. **REF: § 4000. [2.20] S.6.3. (NR 1/1/86)**

3. Additional Marking Requirements:

- Identification of Service Agency work. **REF: § 4085.(a)(4)**
 - Conspicuously located adhesive tag or label.
 - Name, registration number, business telephone, service agent license number, and date.
- Interchange or reversal of parts. **REF: § 4000. [1.10.] G-S.4.**
- Operational controls, indications, and features.
REF: § 4000. [1.10.] G-S.6. (NR 1/1/77)
- Weighing, load-receiving, and indicating element in same housing, point-of-sale-scales interfaced with POS systems, or covered on the same CC (in addition to marking for all devices). **REF: § 4000. [2.20] S.6., Tables S.6.3.(a) & (b)**
 - Nominal capacity. **Retroactive**
 - Value of scale division with nominal capacity, if not apparent. **(NR 1/1/83)**
 - Value of "e" (if different from "d"). **(NR 1/1/86)**
 - Temperature limits if narrower than and within – 10 °C to 40 °C (14 °F to 104 °F). **(NR 1/1/86)**
 - Scales designed for special purposes. **(NR 1/1/86)**
- Indicating element not permanently attached or covered on separate CC (in addition to marking for all devices). **REF: § 4000. [2.20] S.6., Tables S.6.3.(a) & (b)**
 - Nominal capacity. **Retroactive**
 - Value of scale division with nominal capacity, if not apparent. **(NR 1/1/ 83)**
 - Value of "e" (if different from "d"). **(NR 1/1/ 86)**
 - Temperature limits if narrower than and within – 10 °C to 40 °C (14 °F to 104 °F). **(NR 1/1/86)**
 - Scales designed for special purposes. **(NR 1/1/86)**
 - Maximum number of scale divisions (n_{max}). **(NR 1/1/88)**
- Weighing and load-receiving element not permanently attached or covered on separate CC (in addition to markings for all devices).
REF: § 4000. [2.20] S.6., Tables S.6.3.(a) & (b)
 - Nominal capacity. **Retroactive**

EPO No. 8 - Small Capacity Scales (less than 2,000 lb Capacity)
BPC Div. 5, 4 CCR § 4000. 1.10. General Code, and
4 CCR § 4000. 2.20. Scales Code

- Temperature limits if narrower than and within – 10 °C to 40 °C (14 °F to 104 °F). **(NR 1/1/86)**
 - Scales designed for special purposes. **(NR 1/1/86)**
 - Maximum number of scale divisions (n_{max}). **(NR 1/1/88)**
 - Minimum verification scale division for which device complies with the requirements (e_{min} or d). **(NR 1/1/88)**
- Load cell with Certificate of Conformance (in addition to markings for all devices). **(NR 1/1/94) REF: § 4000. [2.20] S.6., Tables S.6.3.(a) & (b)**

Note: Requires information on a data plate attached to the load cell or in an accompanying document. If a document is provided, the serial number shall appear on the load cell AND in the document. **(NR 1/1/88)**

- Manufacturer's name or trademark, model designation, model prefix, and serial number and prefix shall also be marked on both the load cell and in any accompanying documents. **(NR 1/1/ 91)**
- Temperature limits if narrower than and within – 10 °C to 40 °C (14 °F to 104 °F). **(NR 1/1/86)**
- Maximum number of divisions. **(NR 1/1/88)**
- "S" or "M" for single or multiple cell applications. **(NR 1/1/88)**
- Direction of loading, if not obvious. **(NR 1/1/88)**
- Minimum dead load, maximum capacity, safe load limit, and load cell verification interval (v_{min}). **(NR 1/1/88)**
- v_{min} stated in mass units. **(NR 1/1/01)**

4. Selection:

- Suitability.
 - Commercial equipment shall be suitable for the service in which it is used with respect to elements of its design, including but not limited to its computing capability, capacity, the character, number, size, and location of its indicating or recording elements, and the value of its smallest unit and unit prices. **REF: § 4000. [1.10.] G-UR.1.1., [2.20] UR.1., UR.1.1., UR.3.1., UR.3.2.**
 - Permanence. **REF: § 4000. [1.10.] G-S.3.**
 - Environment. **REF: § 4000. [1.10.] G-UR.1.2., [2.20] UR.2.3.**
 - Accuracy Class* – Designated by manufacturer & shall comply with parameters in Table 3. **REF: § 4000. [2.20.] S.5.2.(NR 1/1/86)**

EPO No. 8 - Small Capacity Scales (less than 2,000 lb Capacity)
BPC Div. 5, 4 CCR § 4000. 1.10. General Code, and
4 CCR § 4000. 2.20. Scales Code

- Installation.
 - Such that it does not facilitate fraud. **REF: § 4000. [1.10.] G-S.2.**
 - In accordance with manufacturer's instructions. **REF: § 4000. [1.10.] G-UR.2.1.**
 - Supports, clearance, & foundation (if applicable).
REF: § 4000. [2.20] UR.2.1., UR.2.2., UR.2.4.
 - Level indicating means and condition (i.e. portable scales).
REF: § 4000. [2.20] S.2.4., UR.4.2.
 - Relationship of Minimum (NTEP) Load Cell Verification Interval
 - The 'Minimum Load Cell Verification Interval' (v_{min}) shall be less than or equal to 'd' divided by the square root of the number of load cells. (See equation below) **REF: § 4000. [2.20] S.5.4. (NR 1/1/94)**

$$v_{min} \leq \frac{d^*}{\sqrt{N}}$$

Figure 1 - Equation to verify load cell suitability.

- Position of Equipment.
 - A device used for direct sales (except prescription scales) shall be placed so the indications and weighing operations may be seen from a reasonable "customer" and operator position. **REF: BPC § 12510(a)(6); § 4000. [1.10.] G-UR.3.3.**
 - Weight indications shall be shown on the customer's side of computing scales when these are used for direct sales to retail customers. Computing scales equipped on the operator's side with digital indications, such as net weight, unit price, or total price, shall be similarly equipped on the customer's side. Unit price displays visible to the customer shall be in terms of whole units of weight, and not in common or decimal fractions. **REF: BPC § 12510(a)(6), CCR § 4002.2. Scales (2.20.)(d) Customer indications. (Partial NR 5/9/96)**
- Accessibility & Assistance.
 - A device shall be located, or such facilities for normal access thereto shall be provided, to permit testing and sealing. **REF: § 4000. [1.10.] G-UR.2.3.**
 - If the design, construction, or location of any device is such as to require a testing procedure involving special equipment or accessories or an abnormal amount of labor, such equipment, accessories, and labor shall be supplied by the owner or operator of the device as required by the weights and measures official. **REF: § 4000. [1.10.] G-UR.4.4.**
 - Testing devices at a central location. **REF: § 4000. [1.10] G-UR.4.6.**

EPO No. 8 - Small Capacity Scales (less than 2,000 lb Capacity)
BPC Div. 5, 4 CCR § 4000. 1.10. General Code, and
4 CCR § 4000. 2.20. Scales Code

- Use and Maintenance.
 - Equipment shall be operated only in the manner that is obviously indicated by its construction or that is indicated by instructions on the equipment. **REF: § 4000. [1.10.] G-UR.3.1.**
 - A device shall meet all performance requirements when associated or non-associated equipment is operated in its usual and customary manner and location. **REF: § 4000. [1.10.] G-UR.3.2.**
 - All equipment in service and all mechanisms and devices attached thereto or used in connection therewith shall be continuously maintained in proper operating condition throughout the period of such service. **REF: § 4000. [1.10.] G-UR.4.1.**
 - Cleanliness (lack of cleanliness, ex: debris) may impact the performance of the scale.
 - Unstable indications or other abnormal equipment performance observed during operation shall be corrected and, if necessary, brought to the attention of competent service personnel. **REF: § 4000. [1.10.] G-UR.4.2.**
- Modifications **REF: § 4000. [2.20] UR.4.3.**
 - The dimensions (e.g., length, width, thickness, etc.) of the load receiving element of a scale shall not be changed beyond the manufacturer's specifications, nor shall the capacity of a scale be increased beyond its design capacity by replacing or modifying the original primary indicating or recording element with one of a higher capacity, except when the modification has been approved by a competent engineering authority, preferably that of the engineering department of the manufacturer of the scale, and by the weights and measures authority having jurisdiction over the scale.

5. Indicating and Recording Elements:

- Primary Indication.
 - All weighing and measuring devices shall be provided with indicating or recording elements appropriate in design and adequate in amount. Primary indications and recorded representations shall be clear, definite, accurate, and easily read under any conditions of normal operation of the device. **REF: § 4000. [1.10.] G-S.5.1.**
- Values of Intervals.
 - The values of the graduated intervals or increments shall be uniform throughout the series. **REF: § 4000. [1.10.] G-S.5.3.**
 - On devices designed to indicate or record in more than one unit of measurement, the values indicated and recorded shall be identified with an appropriate word, symbol, or abbreviation. **REF: § 4000. [1.10.] G-S.5.3.1.**

EPO No. 8 - Small Capacity Scales (less than 2,000 lb Capacity)
BPC Div. 5, 4 CCR § 4000. 1.10. General Code, and
4 CCR § 4000. 2.20. Scales Code

- Value of the scale division. **REF: § 4000. [2.20] S.1.2.* (NR 1/1/ 86), S.1.2.1. (NR 1/1/87), S.1.2.2.1.*, S.1.2.2.2. (NR 1/1/20), S.5.3., UR.1.1.(b), G-S.5.3., G-S.5.3.1., UR.1.3. (NR 1/1/86)**
- Analog.
 - Graduations and a suitable indicator shall be provided in connection with indications designed to advance continuously. **REF: § 4000. [1.10.] G-S.5.2.1.**
- Digital. **REF: § 4000. [1.10.] G-S.5.2.2., [2.20] T.N.4.3.**
 - All digital values of like value agree with one another. Digital & associated analog values agree to the nearest minimum graduation. Digital values ‘round off’ to nearest minimum unit that can be indicated or recorded.
 - Zero indication includes display of zero for all places to right of decimal and at least one place to the left. **(NR 1/1/86)**
- For primary indicators separately located from their weighing elements:
 - A device shall be so installed that there is no obstruction between a primary indicating or recording element and the weighing or measuring element; otherwise there shall be convenient and permanently installed means for direct communication, oral or visual, between an individual located at a primary indicating or recording element and an individual located at the weighing or measuring element. **REF: § 4000. [1.10.] G-UR.2.2.**
- Tare
 - Tare operates in a backwards direction. Except for monorail scales and multi-interval and multiple range scales, the tare value shall be equal to the value if the scale division. Whenever gross and tare weights fall in different weighing ranges or segments on multi-interval or multiple range scales, (i.e. the scale divisions for the gross and tare weights differ), the net weight must be in mathematical agreement with the gross and tare weights that are indicated and recorded. **REF: § 4000. [2.20] S.2.3. (Partial NR 1/1/83)**
 - Scales with a combined zero-tare (“0/T”) key [not permitted on scales used for direct sales] must be marked ‘Not for Direct Sales’. **REF: § 4000. [2.20] S.2.1.6. (NR 1/1/86)**
- Label Printer
 - A prepackaging scale or a device that produces a printed ticket to be used as the label for a package shall print all values digitally and of such size, style of type, and color as to be clear and conspicuous on the label. **REF: § 4000. [2.20] S.1.9.2.**

6. Indicated & Recorded Representation of Units. REF: § 4000. [1.10.] G-S.5.6.1.

- For equipment manufactured on or after January 1, 2008, the appropriate defining symbols are shown in [NIST Special Publication SP 811](#) “Guide for the Use of

EPO No. 8 - Small Capacity Scales (less than 2,000 lb Capacity)
BPC Div. 5, 4 CCR § 4000. 1.10. General Code, and
4 CCR § 4000. 2.20. Scales Code

International System of Units (SI)" [<https://www.nist.gov/pml/special-publication-811>]
and Handbook 44 Appendix C – General Tables of Units of Measurement.

- The appropriate defining symbols on equipment manufactured prior to January 1, 2008, with limited character sets are shown in Table 1. Representation of SI Units on Equipment Manufactured Prior to January 1, 2008, with Limited Character Sets.

7. Recorded Representations.

- Insofar as they are appropriate, the requirements for indicating and recording elements shall also apply to recorded representations. All recorded values shall be printed digitally. Customer may be given option of not receiving recorded representation or receiving required information electronically. **REF: § 4000. [1.10.] G-S.5.6. Retroactive**

8. Weighing Elements.

- Antifriction Means (Prevention of interference between load-receiving element and scale frame). **REF: § 4000. [2.20] S.4.1.**
- Adjustable Components
 - Nose-irons, potentiometers, etc. shall be held securely in their adjustment. **REF: § 4000. [2.20] S.1.10., S.4.2.**
- Multiple Load-receiving Elements. **REF: § 4000. [2.20] S.4.3.**
- Drainage, if wet commodities are weighed. **REF: § 4000. [2.20] S.3.2., UR.3.6.**
- Scoop counterbalances. **REF: § 4000. [2.20] S.3.3.**

9. Provision for Sealing.

- A device shall be designed with provision(s) for applying a security seal that must be broken, or for using other approved means of providing security (e.g., data change audit trail available at the time of inspection), before any change that detrimentally affects the metrological integrity of the device can be made to any electronic mechanism. **REF: § 4000. [1.10] G-S.8. (NR 1/1/90), [2.20] S.1.11.2(a) (NR 1/1/79) (formerly S.1.11.), S.1.11.2.(b) (NR 1/1/90), S.1.11.2.(c) (NR 1/1/ 95) (see Table S.1.11.)**
- A device may be fitted with an automatic or a semi-automatic calibration mechanism. This mechanism shall be incorporated inside the device. After sealing, neither the mechanism nor the calibration process shall facilitate fraud. **REF: § 4000. [1.10.] G-S.8. Retroactive**
- Sealing multiple measuring elements with a common provision for sealing. **REF: § 4000. [1.10.] G-S.8.1. (NR 1/1/10)**
 - (a) A change to any metrological parameter (calibration or configuration) of any weighing or measuring element shall be individually identified. **(NR 1/1/10)**

**EPO No. 8 - Small Capacity Scales (less than 2,000 lb Capacity)
BPC Div. 5, 4 CCR § 4000. 1.10. General Code, and
4 CCR § 4000. 2.20. Scales Code**

- (b) For devices that utilize an electronic form of sealing, in addition to the requirements in G-S.8.1., any appropriate audit trail requirements in an applicable specific device code also apply. Examples of identification of a change to the metrological parameters of a weighing or measuring element include, but are not limited to:
- a. A broken, missing, or replaced physical seal on an individual weighing, measuring, or indicating element or active junction box;
 - b. A change in a calibration factor or configuration setting for each weighing or measuring element;
 - c. A display of the date of calibration or configuration event for each weighing or measuring element; or
 - d. Counters indicating the number of calibration and/or configuration events for each weighing or measuring element.
- Sealing removable digital storage device. **REF: § 4000. [1.10.] G-S.8.2., [2.20] S.1.11.1.**
- Applies only to removable digital storage devices that remain in the device or system for it to be operational in which the configuration or calibration parameters can be changed by use of a, such as a secure digital (SD) card, USB flash drive, etc., security shall be provided for those parameters using either:
 - A category 3 method of sealing; or
 - A physical seal that must be broken in order to remove the digital storage device from the device
- A security seal shall be appropriately affixed to any adjustment mechanism designed to be sealed. **REF: § 4000. [1.10.] G-UR.4.5.**
- Scales that function as either a normal round off scale or as a weight classifier shall be provided with a sealable means for selecting the mode of operation and shall have a clear indication, adjacent to the weight display on both the operator's and customer's side whenever the scale is operating as a weight classifier. (A 'weight classifier' is a digital scale that rounds weight values up to the next scale division. These scales usually have a verification scale division (e) that is smaller than the displayed scale division, see CCR § 4000 Appendix 'D'). **REF: § 4000. [2.20.] S.1.8.4.1. (NR 1/1/01)**

**EPO No. 8 - Small Capacity Scales (less than 2,000 lb Capacity)
BPC Div. 5, 4 CCR § 4000. 1.10. General Code, and
4 CCR § 4000. 2.20. Scales Code**

PRE-TEST DETERMINATIONS

1. Applicability of Tolerances (Acceptance & Maintenance).

REF: § 4000. [1.10.] G-T.1., only (a) & (e), G-T.2.

2. Application. REF: § 4000. [1.10] G-T.3.

3. Tolerance values: REF: § 4000. [2.20] T.1. & T.N.3.

- If the scale is MARKED with an accuracy class, use Table 6. REF: § 4000. [2.20] T.N.2.1., T.N.2.3., T.N.2.4., T.N.3.1., Table 6 (Class III), T.N.3.2., T.N.4.4., T.N.5., T.1.1., T.N.2.1., T.N.2.3., T.N.2.4., T.N.3.1./Table 6 (Class III), T.N.3.2., T.N.4.3., T.N.5.

Determine the number (n) of verification scale divisions (e = d) of the test load by dividing the test load by the value of the verification scale division.

$$\text{EQUATION: } (n) = \frac{\text{Test load}}{\text{Value of the verification scale division}}$$

$$\text{EXAMPLE: } n = \frac{5 \text{ lb}}{0.01 \text{ lb/e}} = 500 \text{ (e=d)}$$

To determine the weight at which the tolerance breakpoints on a Class III scale occur:

Maintenance* Tolerance Values for Class III Scales from [2.20] Table 6:

- 1 d - up to 500 x minimum scale division
- 2 d - 501 to 2000 x minimum scale division
- 3 d - 2001 to 4000 x minimum scale division
- 5 d – 4001 (and above) x minimum scale division

Example: Scale Capacity: 30 lb where d = e = 0.01 lb

The following is a table of maintenance tolerances at tolerance breakpoints, and acceptable range of indications.

| Test Load (lb) | n = Test Load/(d) | Tolerance. (d) | Tolerance. (lb) | Acceptable Range of Indications (lb) |
|----------------|-------------------|----------------|-----------------|--------------------------------------|
| 5 | 500 | 1 | 0.01 | 4.99 to 5.01 |
| 10 | 1000 | 2 | 0.02 | 9.98 to 10.02 |
| 20 | 2000 | 2 | 0.02 | 19.98 to 20.02 |
| 30 | 3000 | 3 | 0.03 | 29.97 to 30.03 |

Figure 2 - Table of Maintenance Tolerances at Tolerance Breakpoints, and Acceptable Range of Indications.

**EPO No. 8 - Small Capacity Scales (less than 2,000 lb Capacity)
BPC Div. 5, 4 CCR § 4000. 1.10. General Code, and
4 CCR § 4000. 2.20. Scales Code**

- If the scale is UNMARKED with an accuracy class, calculate the number of divisions on the scale. Determine the maximum number of scale divisions (n) by dividing the scale capacity by the value of the scale division in the following equation and example:

$$\text{EQUATION: } n = \frac{\text{Scale capacity}}{\text{Value of the scale division}}$$

$$\text{EXAMPLE: } n = \frac{30 \text{ lb}}{0.005 \text{ lb}} = 6000$$

- If n is greater than 5000 divisions, refer to [2.20] Table T.1.1.
- If n less than or equal to 5000 divisions, refer to [2.20] Table 6, Class III designation.

4. Shift Test Tolerance.

- On MARKED scales, any two results obtained during the shift test must be within absolute value of maintenance tolerance for that load (even when acceptance tolerance applies to the scale). **REF: § 4000. [2.20] T.N.3.1; T.N.4.4.**
- On UNMARKED scales, tolerance is the basic maintenance tolerance determined under pre-test determinations.
REF: § 4000. [2.20] T.1.1; Table T.1.1

5. Discrimination. Tests for Discrimination Near Zero and Near Capacity” should be performed during initial verification or after major repair when environmental factors will not affect the results. **REF: § 4000. [2.20] N.1.5. (NR 1/1/86), N.1.5.1**

- Analog Automatic Indicating (i.e., Weighing Device with Dial, Drum, Fan, etc.). – A test load equivalent to 1.4 d shall cause a change in the indication of at least 1.0 d. (Also see N.1.5. Discrimination Test.) **REF: § 4000. [2.20] T.N.7.1**
- Digital Automatic Indicating. – A test load equivalent to 1.4 d shall cause a change in the indicated or recorded value of at least 2.0 d. This requires the zone of uncertainty to be not greater than three-tenths of the value of the scale division. (Also see N.1.5.1. Digital Device.) **REF: § 4000. [2.20] T.N.7.2.**
- See [Appendix C - Discrimination at Near Zero Load](#) and [Appendix D - Discrimination Test and Near Capacity](#) for more information on **Discrimination Test.**

6. Sensitivity (Weighbeam scales only). A sensitivity test shall be conducted with the weighing device in equilibrium at zero-load and at maximum test load. The test shall be conducted by increasing or decreasing the test load in an amount equal to the applicable value specified in T.2. Sensitivity Requirement (SR) or T.N.6. Sensitivity. **REF: § 4000. [2.20] N.1.4.**

**EPO No. 8 - Small Capacity Scales (less than 2,000 lb Capacity)
BPC Div. 5, 4 CCR § 4000. 1.10. General Code, and
4 CCR § 4000. 2.20. Scales Code**

- (Unmarked) General. – Except for scales specified in paragraphs T.2.3. Prescription Scales through T.2.8. Railway Track Scales: 2 d, 0.2 % of the scale capacity, or 40 lb, whichever is least. **REF: § 4000. [2.20] T.2.2.**
- (Marked) Test Load. **REF: § 4000. [2.20] T.N.6.1.**
 - (a) Animal scales shall be 1 d for scales equipped with balance indicator, and 2 d or 0.2 % of the scale capacity, whichever is less, for scales not equipped with balance indicators.
 - (b) For all other nonautomatic-indicating scales, the test load for sensitivity shall be 1 d at zero and 2 d at maximum test load.
- (Marked) Minimum Change of Indications. The addition or removal of the test load for sensitivity shall cause a minimum permanent change as follows **REF: § 4000. [2.20] T.N.6.2.:**
 - (a) for a scale with trig loop but without a balance indicator, the position of the weighbeam shall change from the center to the outer limit of the trig loop;
 - (b) for a scale with balance indicator, the position of the indicator shall change one division on the graduated scale, the width of the central target area, or the applicable value as shown below, whichever is greater:
 - Scale of Class III with a maximum capacity of 70 lb or less: 0.08 in
 - Scale of Class III with a maximum capacity of more than 70 lb 0.20 in
 - (c) for a scale without a trig loop or balance indicator, the position of rest of the weighbeam or lever system shall change from the horizontal or midway between limiting stops to either limit of motion.

7. Repeatability Tolerances.

- The results obtained from several weighings of the same load under reasonably static test conditions shall agree within the absolute value of the maintenance tolerance for that load, and shall be within applicable tolerances. **REF: § 4000. [2.20] T.N.5.**

8. The money value computation for analog indications does not exceed (see Figure 6): REF: § 4000. [2.20.] S.1.8.1., S.1.8.2.

| Maximum Money Value Interval | Price/Kilogram | Price/Pound |
|-------------------------------------|-----------------------|---------------------|
| \$0.01 | \$0.55 or less | \$0.25 or less |
| \$0.02 | \$0.56 to \$2.75 | \$0.26 to \$1.25 |
| \$0.05 | \$2.76 to \$7.50 | \$1.26 to \$3.40 |
| \$0.10 | greater than \$7.50 | greater than \$3.40 |

Figure 3 - Table of Money Values for Analog Indications

**EPO No. 8 - Small Capacity Scales (less than 2,000 lb Capacity)
BPC Div. 5, 4 CCR § 4000. 1.10. General Code, and
4 CCR § 4000. 2.20. Scales Code**

- Check chart or drum at several points. (analog quantity indications/digital money values). **REF: § 4000. [1.10.] G-S.5.5., [2.20.] S.1.8.3.**

9. Accuracy of Field Standards. REF: § 4000. [2.20] N.2.

**EPO No. 8 - Small Capacity Scales (less than 2,000 lb Capacity)
BPC Div. 5, 4 CCR § 4000. 1.10. General Code, and
4 CCR § 4000. 2.20. Scales Code**

TEST NOTES

1. Conflict of Laws & Regulations.

- If any provisions of these specifications, tolerances, and other requirements are found to conflict with existing state laws, or with existing regulations or local ordinances relating to health, safety, or fire prevention, the enforcement of such provisions shall be suspended until conflicting requirements can be harmonized. Such suspension shall not affect the validity or enforcement of the remaining provisions of these specifications, tolerances, and other requirements. **REF: § 4000. [1.10.] G-N.1.**

2. Testing with Non-Associated Equipment. (e.g. RFI/EMI)

- Tests to determine conditions, such as radio frequency interference (RFI) that may adversely affect the performance of a device shall be conducted with equipment and under conditions that are usual and customary with respect to the location and use of the device. **REF: § 4000. [1.10.] G-N.2.**

3. Zero Load Balance. REF: § 4000. [1.10.] G-S.5.2.2. (d) (NR 1/1/ 86), [2.20.] S.1.1., S.2.1.1., S.2.1.2., UR.4.1.

- On an automatic-indicating scale or balance indicator, provision shall be made to indicate or record an out-of-balance condition on both sides of zero.
- A zero-balance condition may be indicated by other than a continuous digital zero indication, provided that an effective automatic means is provided to inhibit a weighing operation or to return to a continuous digital indication when the scale is in an out-of-balance condition.

**4. Zero Return. Recheck zero load balance each time test load is removed.
REF: § 4000. [1.10.] G-UR.4.2., [2.20.] N.1.9.**

5. Repeatability.

The results obtained from several weighings of the same load under reasonably static test conditions shall agree within the absolute value of the maintenance tolerance for that load, and shall be within applicable tolerances.

REF: § 4000. [1.10.] G-S.5.4., [2.20.] T.N.5.

6. Recorded Representations. Print ticket or label to verify agreement between indicated and recorded representations. Consider printing tickets or labels for recorded representations that do not comply with applicable tolerances.

- Verify the following:
 - The effectiveness of motion detection. **REF: § 4000. [2.20.] S.2.5., S.2.5.1.(b)**
 - See [“APPENDIX A - MOTION DETECTION REQUIREMENTS”](#) for more information.
 - That any recorded representations for weight, unit price, and total sale agree with their associated corresponding values that are displayed.
REF: § 4000. [1.10.] G-S.5.2.2., G-S.5.6., [2.20.] S.2.5.1.(b), S.1.8.2.

**EPO No. 8 - Small Capacity Scales (less than 2,000 lb Capacity)
BPC Div. 5, 4 CCR § 4000. 1.10. General Code, and
4 CCR § 4000. 2.20. Scales Code**

- That the value of the scale division as recorded on the recorded representation is the same as the division value indicated.
REF: § 4000. [2.20.] UR.1.3. (NR 1/1/86)
- That price calculations based on weight are rounded to the nearest cent.
REF: § 4000. [1.10.] G-S.5.5.

| <u>Net Weight Indication</u> X | <u>Unit Price Entered</u> | = | <u>Total Price</u> | <u>Total Price Correctly Rounded</u> |
|--------------------------------|---------------------------|---|--------------------|--------------------------------------|
| 0.10 lb | \$0.15 | | \$ 0.0150 | \$ 0.01 or \$ 0.02 |
| 0.32 lb | \$0.83 | | \$ 0.2656 | \$ 0.27 |
| 0.32 lb | \$0.89 | | \$ 0.2848 | \$ 0.28 |
| 2.54 lb | \$0.79 | | \$ 2.0066 | \$ 2.01 |
| 2.54 lb | \$0.86 | | \$ 2.1844 | \$ 2.18 |
| 20.67 lb | \$0.59 | | \$12.1953 | \$ 12.20 |

Figure 4 - Table of Price Calculations to the Nearest Cent

- Also verify that any options for obtaining a recorded representation are appropriate. The customer may be given the option of not receiving the recorded representation. If the system is equipped with the capability, the customer may also be given the option of receiving the recorded representation electronically in lieu of or in addition to a hard copy.
REF: § 4000. [1.10.] G-S.5.6.

7. Electronic scales only.

- If, during the conduct of the test, the performance of the device is questionable with respect to the zone of uncertainty or the width of zero, adequate tests should be conducted to determine compliance (see test procedure "Determining Width of Zero").
REF: § 4000. [2.20.] S.1.1.1.(a), S.1.1.1.(b) (NR 1/1/93), N.1.5. (NR 1/1/86), N.1.5.1.
- If the device is equipped with operational features such as programmable tare and/or unit prices, multiplier keys, sales accumulation, price retention, two scales with one printer, etc., check proper operation and appropriateness.
REF: § 4000. [1.10.] G-UR.4.1., G-UR.4.2., [2.20.] S.1.12. (NR 1/1/93 & 1/1/05), S.4.3., UR.3.9.

EPO No. 8 - Small Capacity Scales (less than 2,000 lb Capacity)
BPC Div. 5, 4 CCR § 4000. 1.10. General Code, and
4 CCR § 4000. 2.20. Scales Code

SAFETY REMINDER!!!

- **Use Proper Lifting Techniques**

TESTS – Electronic & Mechanical Scales

1. Establish correct zero-load balance. REF: § 4000. [1.10.] G-UR.4.2., [2.20.] N.1.9.

- a. Re-check “zero” any time the test load is removed.
- b. The zero-load balance should not change by more than the minimum tolerance applicable.

2. Increasing-load test¹ (with the load approximately centered) at the following minimum test loads (20d): REF: § 4000. [2.20.] N.1.1.

- a. All scales – minimum load (20d), 500d, 2000d, 4000d to capacity or, at tolerance intervals to “Table 4. Minimum Test Weights and Test Loads” values.
- b. Beam scales - at a minimum, test at or near half and full capacity on each weighbeam bar. Scales not equipped with a full capacity beam should be ratio tested by applying field standard weights, specifically designed for this purpose, on the counterpoise hanger. At each test load, test scale counterpoise weights by substituting them for field standard weights.
 - If there is a noticeable change in indication, remove the counterpoise weight from service. **REF: BPC § 12506**
- c. Scales should be tested to capacity, where practical, on an initial verification and to at least used capacity on subsequent tests. In accordance with Table 4, not more than 3 substitutions shall be used during substitution testing, after which the tolerances for strain load tests apply. **REF: HB 44 [2.20] N.3., Table 4.**

3. Test for over-capacity indication. REF: § 4000. [2.20.] S.1.7.

- a. Gross capacity (105 % of scale capacity). **REF: § 4000. [2.20.] S.1.7.(a)**
 - This requirement does not apply to these mechanical scales:
 - (1) single-revolution dial scales
 - (2) multi-revolution dial scales not equipped with unit weights
 - (3) scales equipped with two or more weighbeams, nor
 - (4) devices that indicate mathematically derived totalized values
- b. Capacity indication – Electronic computing scales (capacity plus 9 divisions). **REF: § 4000. [2.20.] S.1.7.(b) (NR: 1/1/93)**

¹ For scales that are not marked with an accuracy classification and have less than 1000 scale divisions, use the following procedure: begin test at 20 d; then test at 0.50 lb and at each pound thereafter to capacity, including test loads at 1/4, 1/2, and 3/4 capacity.

EPO No. 8 - Small Capacity Scales (less than 2,000 lb Capacity)
BPC Div. 5, 4 CCR § 4000. 1.10. General Code, and
4 CCR § 4000. 2.20. Scales Code

4. Decreasing-load test.

- a. **For scales MARKED** with an accuracy class and having 1000 or more scale divisions (d), test with loads equal to the maximum test load at each tolerance value. For example, on a Class III scale, at test loads equal to 4000 d, 2000 d, and 500 d; for all other scales, the test load shall be equal to one-half of the maximum load applied in the increasing-load test. **REF: § 4000. [2.20.] N.1.2., N.1.2.1.**
- b. On **UNMARKED** Scales
 - The decreasing-load test shall be conducted with a test load equal to one-half of the maximum load applied in the increasing-load test. **REF: § 4000. [2.20.] N.1.2.2.**
 - Automatic Indicating Scales. **REF: § 4000. [2.20.] T.1.1.**
 - If the number of divisions is less than or equal to 5000, use Class III tolerances. **REF: § 4000. [2.20.] Table 6.**
 - If the number of divisions is greater than 5000, the decreasing load test tolerance is 1.5 times the applicable tolerance.

5. Shift test.

- a. The shift test can be conducted during the increasing, decreasing, or as a stand-alone test.

Note: If the shift test is performed during the increasing or decreasing load test and fails, repeat the shift test independent of the increasing/decreasing load tests.
- b. Scales with a nominal capacity less than or equal to 1000 lb.
REF: § 4000. [2.20.] N.1.3.7.(a)
 - Use test weights equal to no less than 30 % of scale capacity, but not to exceed 35 % of scale capacity, centered as nearly as possible in each quadrant of the load-receiving element as shown in 'Example A' in Figure 4.
- c. Scales with a nominal capacity greater than 1000 lb.
REF: § 4000. [2.20.] N.1.3.7.(b)
 - Use test weights equal to no less than 30 % of scale capacity, but not to exceed 35 % of scale capacity, centered as nearly as possible in each quadrant of the load-receiving element as shown in 'Example A' below.
 - OR one-quarter capacity test load centered as nearly as possible over each corner of the load-receiving element as shown in 'Example B' below, if available weights are less than 30% of scale capacity.

**EPO No. 8 - Small Capacity Scales (less than 2,000 lb Capacity)
BPC Div. 5, 4 CCR § 4000. 1.10. General Code, and
4 CCR § 4000. 2.20. Scales Code**

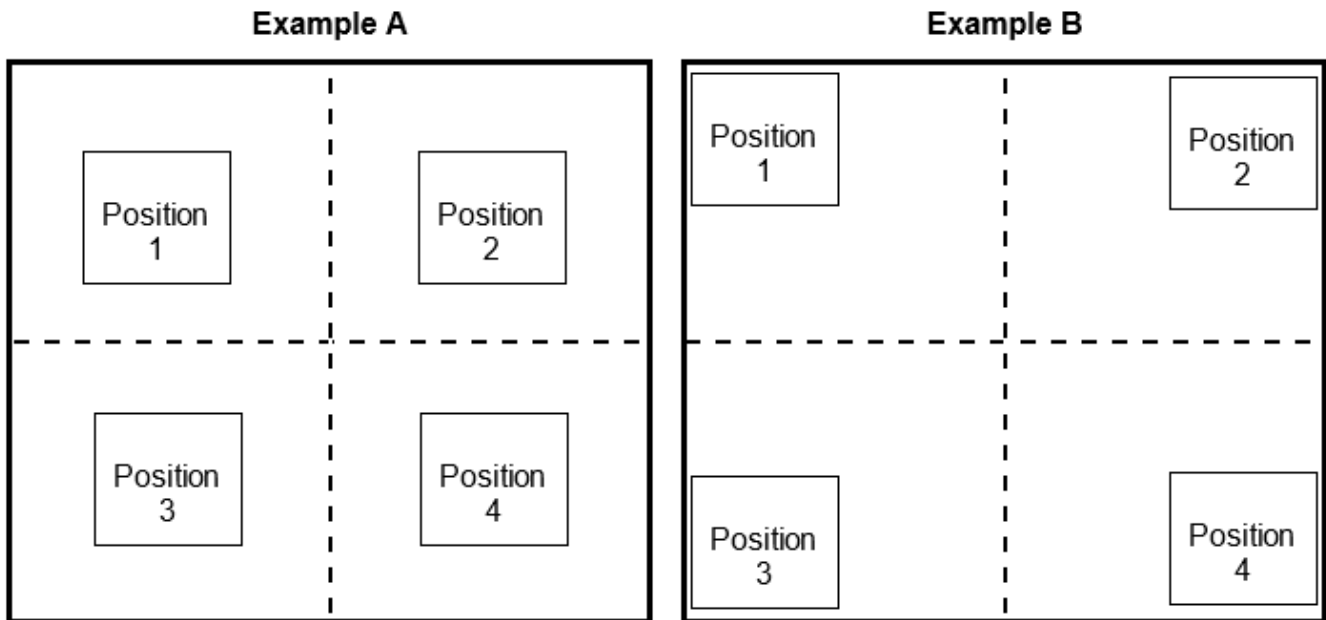


Figure 5 - Shift Test Positions

- d. The range of the results obtained during the conduct of a shift test or a section test shall not exceed the absolute value of the maintenance tolerance applicable and each test result shall be within applicable tolerances.

REF: § 4000. [2.20.] T.N.4.4.

Example: On a 30 lb x 0.01 lb scale, the allowable maintenance tolerance at 10-13.5 pounds (30 – 35% scale capacity) test load is ± 0.02 lb. As shown in the following example, the scale is within $+0.02$ lb. However, the range of error between position 1 (-2 d) and position 2 (+1 d) is 3 d and is in excess of the absolute value 2 d (0.02 lb).

| Position | Weight Indication | Error |
|-----------------|--------------------------|--------------|
| 1 | 9.98 | -0.02 |
| 2 | 10.01 | +0.01 |
| 3 | 10.00 | 0.00 |
| 4 | 10.01 | +0.01 |

Figure 6 - Shift Test Results in Each of the Four Positions

- 6. Radio Frequency Interference (RFI)/Electromagnetic Interference (EMI).** Conduct test at or near capacity when RFI/EMI transmission sources are present or if a problem is suspected. **REF: § 4000. [1.10.] G-UR.1.2., G-N.2., G-UR.3.2., G-UR.4.2., [2.20.] N.1.6., T.N.9.**

EPO No. 8 - Small Capacity Scales (less than 2,000 lb Capacity)
BPC Div. 5, 4 CCR § 4000. 1.10. General Code, and
4 CCR § 4000. 2.20. Scales Code

7. Test for discrimination if environmental conditions permit, at or near capacity. For electronic indicating scales a test load equivalent to 1.4 d shall cause a change in the indicated or recorded value of at least 2.0 d. (See Discrimination Test)

REF: § 4000. [2.20.] T.N.7.2., N.1.5. (NR 1/1/ 86), N.1.5.1.

- For electronic indicating scales a test load equivalent to 1.4 d shall cause a change in the indicated or recorded value of at least 2.0 d. (See Discrimination Test)

REF: § 4000. [2.20.] T.N.7.2.

- For analog automatic indicating scales a test load equivalent to 1.4 d shall cause a change in the indicated or recorded value of at least 1.0d. (See Discrimination Test) **REF: § 4000. [2.20.] T.N.7.1.**

8. For nonautomatic indicating scales, perform a Sensitivity Test.

REF: § 4000. [2.20.] N.1.4., T.2., T.N.6.

9. Test for proper design of automatic zero-tracking mechanism, if the scale is so equipped.

REF: § 4000. [2.20.] S.2.1.3.1.(a) & (c), S.2.1.3.2.(b)

Under normal operating conditions the maximum load that can be “re-zeroed” when placed on or removed from the platform all at once, shall be:

For scales manufactured between January 1, 1981 and January 1, 2007

- 0.6 scale divisions for bench and counter scales
- 1.0 division for all other scales all scales covered in this EPO

For all scales covered in this EPO manufactured after January 1, 2007

- 0.5 scale divisions.

10. Check proper design of tare auto-clear, if scale is so equipped.

REF: § 4000. [2.20.] S.2.3. (NR 1/1/83)

- A device designed to automatically clear any tare value shall also be designed to prevent the automatic clearing of tare until a complete transaction has been indicated.
- On a computing scale, this requires the input of a unit price, the display of the unit price, and a computed positive total price at a readable equilibrium. Other devices require a complete weighing operation, including tare, net, and gross weight determination.

11. Test effectiveness of motion detection, if scale is equipped with a semi-automatic zero-setting mechanism. **REF: § 4000. [2.20.] S.2.1.2.(b)**

- A semiautomatic zero-setting mechanism shall be operable or accessible only by a tool outside of and separate from this mechanism or it shall be enclosed in a cabinet, or it shall be operable only when the indication is stable within plus or minus 1.0 scale division (for scales less than 5,000 lb capacity).

EPO No. 8 - Small Capacity Scales (less than 2,000 lb Capacity)
BPC Div. 5, 4 CCR § 4000. 1.10. General Code, and
4 CCR § 4000. 2.20. Scales Code

POST-TEST TASKS

1. Security Means.

- Check for the presence of security seals on the device. Document missing seals on the official report and apply new ones as needed. **REF: § 4000. [1.10.] G-S.8. (Portions NR 1/1/90), G-UR.4.5.**
- Record audit trail information if the device is equipped with an audit trail.
REF: § 4000. [1.10.] G-S.8. (Portions NR 1/1/90)

NOTE: Do not seal a device if components which are intended to be inaccessible are accessible because of broken or missing glass, locks, etc. (maintenance of equipment)
REF: § 4000. [1.10.] G-UR.4.1., G-UR.4.3.

2. Results.

- Review results after all equipment at a location has been tested to determine compliance with specifications, tolerances, and other technical requirements.
NOTE: Predominance of error in direction favorable to device user. – Become familiar with your County Policy for interpretation and enforcement of this code section.
REF: § 4000. [1.10.] G-UR.4.1.

3. Clean up.

- Collect your equipment and tools.
- Return all product necessary for testing if applicable.
- Return all tools, equipment, keys, etc. to responsible personnel.

4. Documentation.

- Record the results, compliance actions, and disposition of the device(s) on the report.
- Consider documenting non-compliant devices, identification markings, missing security seals, etc. with photographs.
- Record audit trail information if the device is equipped with an audit trail
- Record Registered Service Agency (RSA) and Agent information from identification of work. **REF: § 4085.(a)(4)**
- Explain and provide the results to the device owner.

EPO No. 8 - Small Capacity Scales (less than 2,000 lb Capacity)
BPC Div. 5, 4 CCR § 4000. 1.10. General Code, and
4 CCR § 4000. 2.20. Scales Code

EPO 8 – B. Point-of-Sale (POS) Systems

Note: All scales at a location need to be tested according to EPO-8 A, however many POS systems operate on a single database (example: multiple check-stands at a grocery store) therefore not all ECRs (Electronic Cash Registers) need to be tested to verify price accuracy.

1. Contact Store Manager for Assistance: The POS systems may be in a training, manager's, or test mode before making scale tests or entries. A keyboard selectable void or error key that allows cancellation of transactions during the testing procedures is acceptable. In some cases, the manager will have to remove the cash drawer.
REF: § 4000. [1.10] G-UR.4.4.

2. Weight indication and zero balance information must always be visible from a normal customer's and operator's position. When registers are interfaced to electronic scales, the customer must be provided with a continuous zero balance indication. This can be accomplished in the following ways: **REF: § 4000. [1.10] G-S.2, G-S.5.1., G-UR.3.3, [2.20.] S.1.1., S.1.1.1, S.1.12; and BPC §§ 12510(a)(6) & 13300**

- The ECR or POS may have an integral weight indicator that is part of the terminal. The weight indication must be clear and easily read on the customer display. (Example: A customer display with the weight indication on the bottom portion of the screen, separated from the other sales information for instance)
- The ECR or POS may have a remote customer's weight indicator mounted on or adjacent to the terminal or weighing element.
- The zero-balance condition may be indicated by words such as "scale ready" or annunciator. When scale is out of balance, weighing is inhibited.
REF: § 4000. [2.20] S.1.1(c)
- Electronic cash registers (ECRs) and point-of-sale systems (POS systems) must display measurement units and shall be a minimum of 9.5 mm (3/8 inch) in height.
REF: § 4000. [2.20] S.1.1.1.(c) (NR 1/1/21)

NOTE: If a permanent customer's weight indicator is provided, it must always be visible from a normal customer position.

3. The following tests should be evaluated using point-of-sale receipts.
REF: § 4000. [1.10.] G-S.5.6. (electronic receipt), [2.20] S.1.8.5.

NOTE: The information below is required on the printed customer receipt.

- a. Net Weight.²
- b. Unit Price.²

² Footnote. Weight quantity abbreviation, unit of measure or symbol. (Such as "pound", "lb", "g", etc. *The symbol "# is not acceptable.*). **(Partial NR 1/1/06)**

EPO No. 8 - Small Capacity Scales (less than 2,000 lb Capacity)
BPC Div. 5, 4 CCR § 4000. 1.10. General Code, and
4 CCR § 4000. 2.20. Scales Code

- c. Total Price.
- d. Product class or on price look-up systems, product name or code number.

Number each receipt with tests 1.1 through 1.4 listed below to verify and document the agreement of indication, accuracy, repeatability, tare entry, product codes and mathematical agreement:

Tests - Follow basic electronic computing scale test procedures Increasing/Decreasing Load Test, using a unit price of \$1.00 or selecting a price look-up (PLU) key or code for randomly selected test loads.

1.1. Price look-up – When, verifying the accuracy and correctness of transactions based on look-up program, look at a current newspaper advertisement for that location, or prior to starting POS testing, take a walk through the produce and bulk food sections of the store noting the price on various items. Then using the product code listing of commodities sold in bulk (usually adjacent to the register) enter or have the store clerk enter the PLU's for those chosen scale items into the register with a one (1) pound weight on the scale.

1.2. Tare program - Verify operation and accuracy of net weight transactions using tare program. The tare mechanism must have sufficient capacity to equal the heaviest tare container used. **REF: BPC §§ 12023 & 12024.**

1.2.1. Tare capability may be achieved in one of the following methods:
REF: § 4000. [2.20] S.2.3.

1.2.1.1. A standard tare may be programmed into the register if a single tare function is adequate for proper operation. Provision to override tare is acceptable if the standard tare is not to be used for a particular transaction.

1.2.1.2. Keyboard tare is acceptable. This tare normally functions when the operator enters a number prior to pressing the scale key.

EXAMPLE: With 1.00 lb placed on the scale, operator enters “2” before activating “scale” key and POS System prints 0.98 lb net weight on the customer receipt.

NOTE: It is preferable that the most commonly used tare be programmed to automatically occur with provision to override tare by special keystroke.

1.3. Combined tare/price look-up program - Using the same procedure outlined in 1.2. Tare Program above, check those bulk items in the store that are in a bag or tray that would require a tare to be taken (such as produce, bulk coffee, bulk candy, bulk health food items, soup and salad bar - if sold by the pound). Verify that the correct tare is applied by observing the net weight value on the printed receipt.
REF: BPC §§ 12023 & 12024

**EPO No. 8 - Small Capacity Scales (less than 2,000 lb Capacity)
BPC Div. 5, 4 CCR § 4000. 1.10. General Code, and
4 CCR § 4000. 2.20. Scales Code**

Example: Entering the PLU for fresh mushrooms, for example, place weight on the scale until the scale indicates “1.00 lb” and print a receipt. If the tare for a plastic bag and tie is 0.01 lb you should see a printed net of 0.99 lb. If the PLU is for freshly ground coffee, for example, you may see a different net weight of say 0.94 lb (check the tare against the type of bag used).

NOTE: This procedure may be used on any computing scale with PLU capability, such as service delis, fish markets, meat markets, and specialty stores.

- 1.4. Mathematical agreement** - Verify correct computation of money values for both manually entered and price look-up transactions using the following table:
REF: § 4000. [1.10] G.S.5.5.

| <u>Net Weight</u> | X | <u>Unit Price Entered</u> | = | <u>Total Price</u> | <u>Correctly Rounded</u> |
|-------------------|---|---------------------------|---|--------------------|--------------------------|
| 0.10 lb | | \$0.15 | | \$ 0.0150 | \$ 0.01 or \$ 0.02 |
| 0.32 lb | | \$0.83 | | \$ 0.2656 | \$ 0.27 |
| 0.32 lb | | \$0.89 | | \$ 0.2848 | \$ 0.28 |
| 2.54 lb | | \$0.79 | | \$ 2.0066 | \$ 2.01 |
| 2.54 lb | | \$0.86 | | \$ 2.1844 | \$ 2.18 |
| 20.67 lb | | \$0.59 | | \$12.1953 | \$ 12.20 |

Figure 7 - Mathematical Agreement Based on Net Weight, Unit Price with Total Prices Correctly Rounded.

NOTE: For POS Systems with pre-programmed tares use additional test weights to record the desired net weight in Figure 8. Split Pricing; i.e., indicated amounts will show actual weight applied to the platter while printed amounts may differ (add an amount to your test load to make the printed weight values match table split-price amounts).

| <u>Net Weight (lb)</u> | <u>Unit Price (lb)</u> | <u>Total Price</u> | <u>Correctly Rounded</u> |
|------------------------|------------------------|--------------------|--------------------------|
| 1.00 | 3/\$1.00 | \$ 0.33333 | \$ 0.33 |
| 2.00 | 3/\$1.00 | \$ 0.6667 | \$ 0.67 |
| 3.00 | 3/\$1.00 | \$ 1.00000 | \$ 1.00 |
| 1.00 | 3/\$0.89 | \$ 0.29666 | \$ 0.30 |
| 2.00 | 3/\$0.89 | \$ 0.59333 | \$ 0.59 |
| 3.00 | 3/\$0.89 | \$ 0.89000 | \$ 0.89 |
| 4.09 | 2/\$1.89 | \$ 3.86505 | \$ 3.87 |
| 4.10 | 2/\$1.89 | \$ 3.87450 | \$ 3.87 |

Figure 8 - Split Pricing - Mathematical Agreement Based on Net Weight, Unit Price with Total Prices Correctly Rounded.

- 2. Motion detection** – Verify the effectiveness of motion detection.
REF: § 4000. [2.20] S.2.5.1.

EPO No. 8 - Small Capacity Scales (less than 2,000 lb Capacity)
BPC Div. 5, 4 CCR § 4000. 1.10. General Code, and
4 CCR § 4000. 2.20. Scales Code

Depending upon the manufacturer, the POS System will usually print the weight indication when either the “scale” (“weight”) or department keys are depressed.

Example for a 30 x 0.01 lb scale:

Place a 1.00 lb test weight on the scale while simultaneously depressing the print key. The POS System will either print a stabilized weight of 0.99 lb, 1.00 lb, or 1.01 lb (Tolerance = $\pm 1d = \pm 0.01$ lb) or give an error indication.

To the 1.00 lb test load, add 0.10 lb to the scale while depressing the print key. The POS System will either print 1.09 lb, 1.10 lb, or 1.11 lb (Tolerance = $\pm 1d = \pm 0.01$ lb) or give an error indication. **REF: § 4000. [2.20] S.2.5.1(b)**

For additional information, go to [“APPENDIX A - MOTION DETECTION REQUIREMENTS”](#).

3. Zero Indication.

Electronic cash registers must indicate or record an indication of zero, and on either side of zero. (examples: indicator = 0.00 lb or the words “scale ready” for a zero-balance condition, or - 0.01 lb, - - - -, or other error indication for below zero indication).

REF: § 4000. [2.20] S.1.1.

4. Maximum Capacity with test weights. REF: § 4000. [2.20] S.1.7.

4.1. Point-of-sale scales shall not indicate or record values exceeding 105 % of scale capacity. **REF: § 4000. [2.20] S.1.7.(a).**

4.2. Electronic computing scales interfaced with ECRs shall not display or record scale capacity plus 9 scale divisions. **REF: § 4000. [2.20] S.1.7.(b). (NR 1/1/93)**

NOTE: This does not prohibit such scales from weighing gross loads of up to 105% of scale capacity or for example, a 30 lb x 0.01 scale could weigh a gross load of 105% (or 31.50 lb) as long as 1.41 lb of this amount was tare and then the scale could indicate a net weight up to 30.09 lb (or +9 scale divisions).

4.3. 105% of nominal capacity for all non-computing scales.
REF: § 4000. [2.20] S.1.7.(a)

5. Manual Weight Entries

5.1. For electronic cash registers interfaced to point-of-sale scales, manual entry of weight information is **prohibited** unless the ECR terminal is in a key selected credit mode. **REF: § 4000. [1.10] G-S.2., [2.20] S.1.12. (NR 1/1/93, 1/1/05*) & UR.3.9.(a)**

The words “**Manual Weight**”, “**Manual Wt.**” or “**MAN.WT**” must be automatically printed on the customer receipt. Multiple manual weight entries can be represented by a symbol providing the symbol is defined on the same page and is automatically printed on the receipt.

EPO No. 8 - Small Capacity Scales (less than 2,000 lb Capacity)
BPC Div. 5, 4 CCR § 4000. 1.10. General Code, and
4 CCR § 4000. 2.20. Scales Code

Appendix A: MOTION DETECTION REQUIREMENTS

Code References: REF: CCR § 4000. [1.10] G-S.2., [2.20] S.2.1.2., S.2.5.1.

A digital electronic device must have a motion detection capability that prevents the device from recording (eg: printing), zeroing (semi-automatic zero), or taring (semi-automatic tare) part of a load when the semi-automatic zero or tare key is activated at the same time that a load is added, changed, or removed from the scale.

A digital electronic scale equipped with a printer must have a motion detection capability that prevents the scale from printing weight values before the weight display has stabilized within specified limits. This reduces the possibility of recording incorrect weight values. The limit for motion detection is small and medium capacity scales is plus or minus (\pm) 1 scale division.

Example for a 30 x 0.01 lb scale:

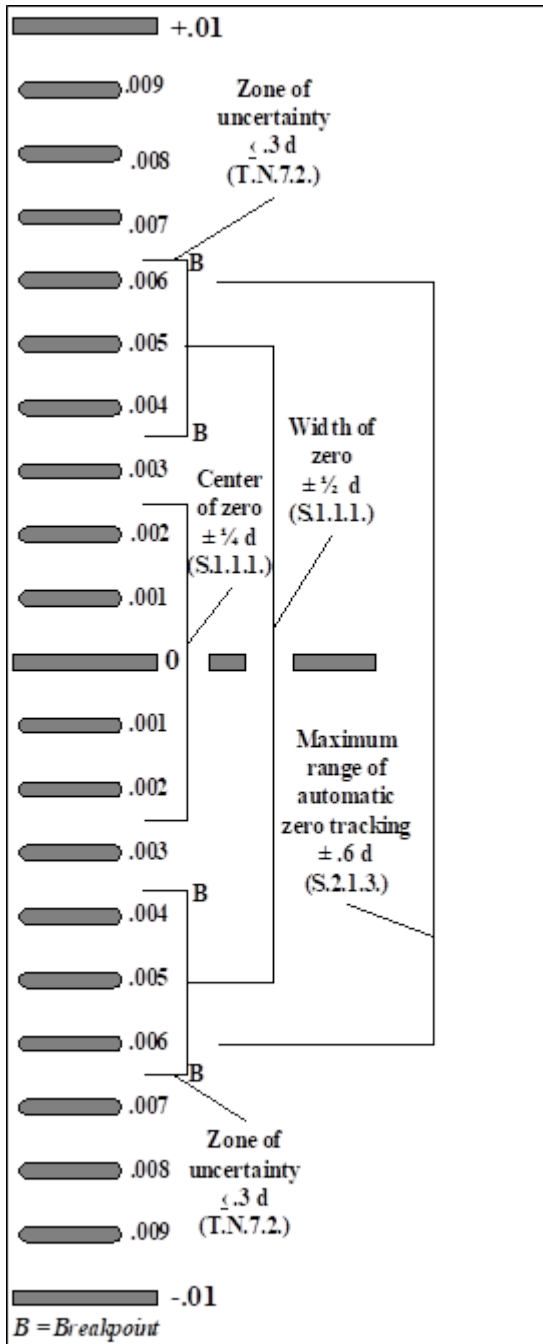
Place a 1.00 lb test weight on the scale while simultaneously depressing the print key. The POS System will either print a stabilized weight of 0.99 lb, 1.00 lb, or 1.01 lb (Tolerance = $\pm 1d = \pm 0.01$ lb) or give an error indication.

To the 1.00 lb test load, add 0.10 lb to the scale while depressing the print key. The POS System will either print 1.09 lb, 1.10 lb, or 1.11 lb (Tolerance = $\pm 1d = \pm 0.01$ lb) or give an error indication.

**EPO No. 8 - Small Capacity Scales (less than 2,000 lb Capacity)
BPC Div. 5, 4 CCR § 4000. 1.10. General Code, and
4 CCR § 4000. 2.20. Scales Code**

Appendix B: AUTOMATIC ZERO-TRACKING & WIDTH OF ZERO

This example of Automatic Zero-Tracking and the Width of Zero test is based on a scale division of 0.01 lb. The principles used in this example can also be used to test scales with other division sizes, including scales indicating in metric units.



Automatic Zero-Tracking test:

| <u>Test action</u> | <u>Required Indication</u> |
|--------------------|----------------------------|
|--------------------|----------------------------|

- | | |
|---|---------|
| a. Zero scale | 0.00 lb |
| b. Apply 0.007 lb... + 0.01 lb | |
| (Repeat three times. Three failures will result in scale rejection.) | |
| a. Zero scale..... | 0.00 lb |
| b. Apply 0.007 lb... + 0.01 lb | |
| c. Zero Scale | 0.00 lb |
| d. Remove 0.007 lb – 0.01 lb or a below zero indication | |
| (Repeat three times. Three successive failures will result in scale rejection. If scale passes go to the next test) | |

Width of Zero test:

| <u>Test action</u> | <u>Required Indication</u> |
|--------------------|----------------------------|
|--------------------|----------------------------|

- | | |
|--|---------|
| a. Zero scale..... | 0.00 lb |
| b. Apply 0.007 lb....+ 0.01 lb | |
| c. Zero scale..... | 0.00 lb |
| d. Remove 0.007 lb – 0.01 lb or a below zero indication. | |
| e. Apply 0.015 lb+ 0.01 lb stable | |
| (Three successive failures will result in rejection.) | |

Note: The Width of Zero test is predecessor to the test for discrimination and may be performed on scales manufactured prior to 1986. For scales manufactured on or after 1/1/86, the test for discrimination applies.

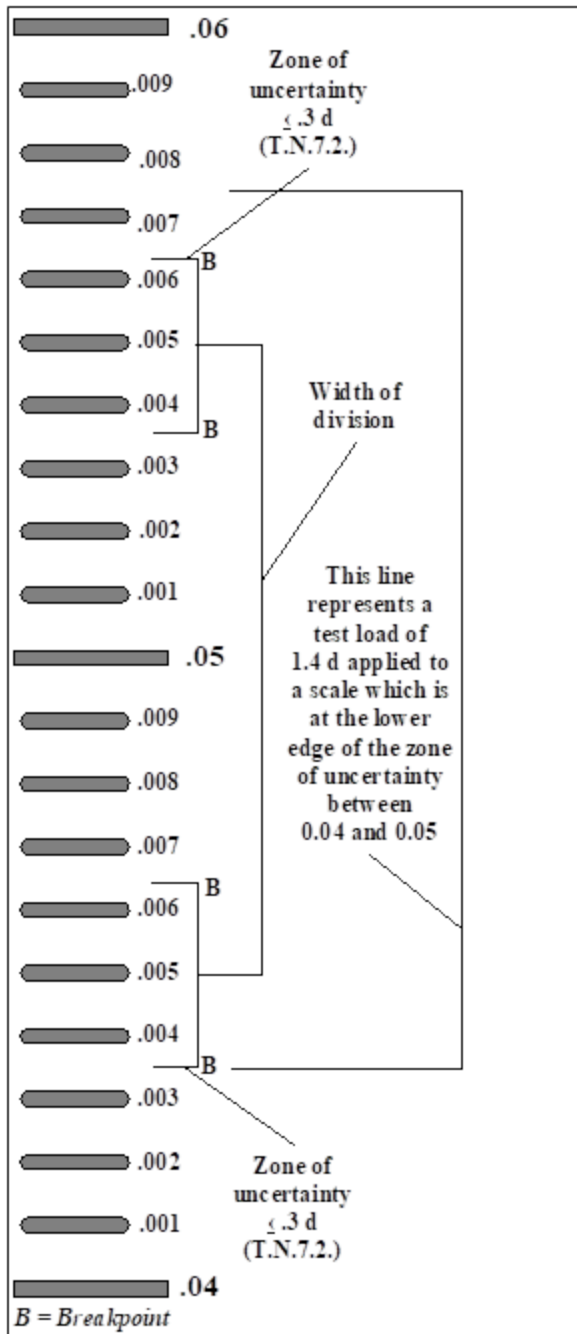
Important: Apply or remove the test weights all at once in both tests. Use forceps if necessary.

Figure 9 - Illustration of Automatic Zero-Tracking Test

**EPO No. 8 - Small Capacity Scales (less than 2,000 lb Capacity)
BPC Div. 5, 4 CCR § 4000. 1.10. General Code, and
4 CCR § 4000. 2.20. Scales Code**

Appendix C: DISCRIMINATION TEST AT OR NEAR ZERO LOAD

This example of a discrimination test at or near zero load is based on a scale division of 0.01 lb. The principles used in this example can also be used to test scales with other division sizes, including scales indicating in metric units.



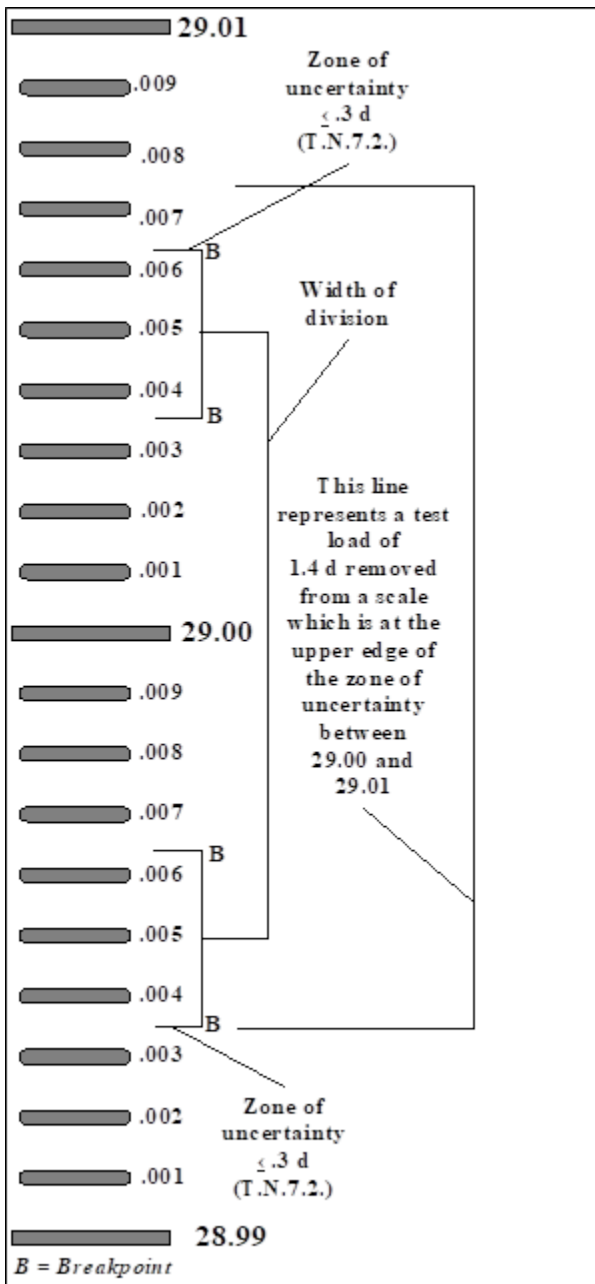
- a. With the device at zero, place error weights on scale equal to 1.4d (0.014 lb).
Example: 1 x 0.005 lb + 1 x .003 lb + 2 x .001 lb.
- b. Zero the scale and place a test load equal to 5d (0.05 lb) on the load receiving element.
- c. Remove the error weights in 0.1d (0.001 lb) increments until the indication flickers between 0.04 lb and 0.05 lb (**NOTE:** 0.2d increments may be used if smaller weights are not available). If the indication does not flicker but indicates a steady 0.04 lb, add 0.1d. If the scale indicates 0.05 lb, it is at the breakpoint in the zone of uncertainty. (Remove the 0.1d if it was used to verify the breakpoint.)
- d. Add a test load equal to 1.4d to the scale (0.014 lb)
- e. The indication should read a steady 0.06 lb.
- f. If the scale passes this test at a load near zero, the test should be performed near the maximum test load.

Figure 10 - Illustration of Discrimination Test at or Near Zero Load

**EPO No. 8 - Small Capacity Scales (less than 2,000 lb Capacity)
 BPC Div. 5, 4 CCR § 4000. 1.10. General Code, and
 4 CCR § 4000. 2.20. Scales Code**

Appendix D: DISCRIMINATION TEST AT OR NEAR CAPACITY

This example of a discrimination test be near capacity is based on a scale division of 0.01 lb at a test load of 29.00 lb. The principles used in this example can also be used to test scales with other division sizes and capacities, including scales used in metric units.



With the scale at zero, add decimal weights equal to 1.4d and zero the device.

- Add test weights to make the scale indicate a weight value near capacity (e.g., 29.00 lb).
- With the scale stable, add decimal weights in 0.1d increments until the indication flickers between 29.00 lb and 29.01 lb. If the indication shows a steady 29.01 lb, remove 0.1d. If the scale indicates 29.00 lb it is at the breakpoint in the zone of uncertainty. (Replace the 0.1d if it was used to verify the breakpoint.)
- Remove the 1.4d test load (0.014 lb).
- The scale should indicate a steady 28.99 lb.
- If the test passes near the maximum capacity, the test should be performed near zero.

Figure 11 - Illustration of Discrimination Test at or Near Capacity

**EPO No. 8 - Small Capacity Scales (less than 2,000 lb Capacity)
 BPC Div. 5, 4 CCR § 4000. 1.10. General Code, and
 4 CCR § 4000. 2.20. Scales Code**

Appendix E: TOLERANCE VALUES

| Table T.1.1. Tolerance for Unmarked Scales | | | | | |
|---|-------------|---|---------------------|--------------------|--|
| Type of Device | Subcategory | Min. Tol. | Accept Tol. | Maint. Tol. | Decreasing Load Test Multiplier ¹ |
| All Other Scales | n > 5,000 | 0.5 d or 0.05% of scale capacity, whichever is less | 0.05 % of test load | 0.1 % of test load | 1.5 |
| | n < 5,000 | Class III, Table 6 | | | 1.0 |

¹ The decreasing load test applies to automatic indicating scales

Figure 12 - Extract from Table T.1.1. Tolerance Values for Unmarked Scales

| Table 6. Maintenance Tolerances (All values in this table are in scale divisions) | | | | |
|--|------------------------------|------------------|--|---------|
| Class | Tolerance in Scale Divisions | | | |
| | 1d | 2d | 3d | 5d |
| | Test Load | | | |
| I | 0 - 50,000 | 50,001 - 200,000 | 200,001 + | |
| II | 0 - 5,000 | 5,001 - 20,000 | 20,001 + | |
| III | 0 - 500 | 501 - 2,000 | 2,001 - 4,000 | 4,001 + |
| IIII | 0 - 50 | 51 - 200 | 201 - 400 | 401 + |
| III L | 0 - 500 | 501 - 1,000 | (Add 1d for each additional 500 d or fraction thereof) | |

Figure 13 - Table 6. Maintenance Tolerance Values

| Test Load in Divisions | Tolerances in Divisions | |
|------------------------|-------------------------|-------------|
| | Acceptance | Maintenance |
| 0 - 500 | 1/2d | 1d |
| 501 - 2,000 | 1d | 2d |
| 2,001 - 4,000 | 1 1/2d | 3d |
| 4,001 - 10,000 | 2 1/2d | 5d |

Figure 14 - Class III Scale Acceptance & Maintenance Tolerances

**EPO No. 8 - Small Capacity Scales (less than 2,000 lb Capacity)
BPC Div. 5, 4 CCR § 4000. 1.10. General Code, and
4 CCR § 4000. 2.20. Scales Code**

Digital

d = 0.005 lb. for Deli, Candy Scales, Etc.

| Test Load (lb) | Maintenance Tolerance ± (lb) |
|-----------------|------------------------------|
| 0.000 - 2.500 | 0.005 |
| 2.505 - 10.000 | 0.010 |
| 10.005 - 20.000 | 0.015 |
| 20.005 - 50.000 | 0.025 |

d = 0.01 lb. for Retail Food, Bench, Counter Scales, Etc.

| Test Load (lb) | Maintenance Tolerance ± (lb) |
|----------------|------------------------------|
| 0.00 - 5.00 | 0.01 |
| 5.01 - 20.00 | 0.02 |
| 20.01 - 40.00 | 0.03 |
| 40.01 - 100.00 | 0.05 |

d = 0.02 lb. for Bench, Floor, Platform Scales, Etc.

| Test Load (lb) | Maintenance Tolerance ± (lb) |
|----------------|------------------------------|
| 0.00 - 10.00 | 0.02 |
| 10.02 - 40.00 | 0.04 |
| 40.02 - 80.00 | 0.06 |
| 80.02 - 200.00 | 0.10 |

d = 0.05 lb. for Bench, Floor, Platform Scales, Etc.

| Test Load (lb) | Maintenance Tolerance ± (lb) |
|-----------------|------------------------------|
| 0.00 - 25.00 | 0.05 |
| 25.05 - 100.00 | 0.10 |
| 100.05 - 200.00 | 0.15 |
| 200.05 - 500.00 | 0.25 |

d = 0.1 lb. for Bench, Floor, Platform Scales, Etc.

| Test Load (lb) | Maintenance Tolerance ± (lb) |
|-----------------|------------------------------|
| 0 - 50.0 | 0.1 |
| 50.1 - 200.0 | 0.2 |
| 200.1 - 400.0 | 0.3 |
| 400.1 - 1,000.0 | 0.5 |

Figure 15 - Tables Indicating Maintenance Tolerance Values Based on Given Divisions

**EPO No. 8 - Small Capacity Scales (less than 2,000 lb Capacity)
 BPC Div. 5, 4 CCR § 4000. 1.10. General Code, and
 4 CCR § 4000. 2.20. Scales Code**

Digital (Continued)

d = 0.2 lb. for Bench, Floor, Platform Scales, Etc.

| Test Load (lb) | Maintenance Tolerance ± (lb) |
|-----------------|------------------------------|
| 0 - 100.0 | 0.2 |
| 100.2 - 400.0 | 0.4 |
| 400.2 - 800.0 | 0.6 |
| 800.2 - 2,000.0 | 1.0 |

d = 0.5 lb. for Bench, Floor, Platform Scales, Etc.

| Test Load (lb) | Maintenance Tolerance ± (lb) |
|-------------------|------------------------------|
| 0.0 - 250.0 | 0.5 |
| 250.5 - 1,000.0 | 1.0 |
| 1,000.5 - 2,000.0 | 1.5 |
| 2,000.5 - 5,000.0 | 2.5 |

Figure 16 - Tables Indicating Maintenance Tolerance Values Based on Given Divisions

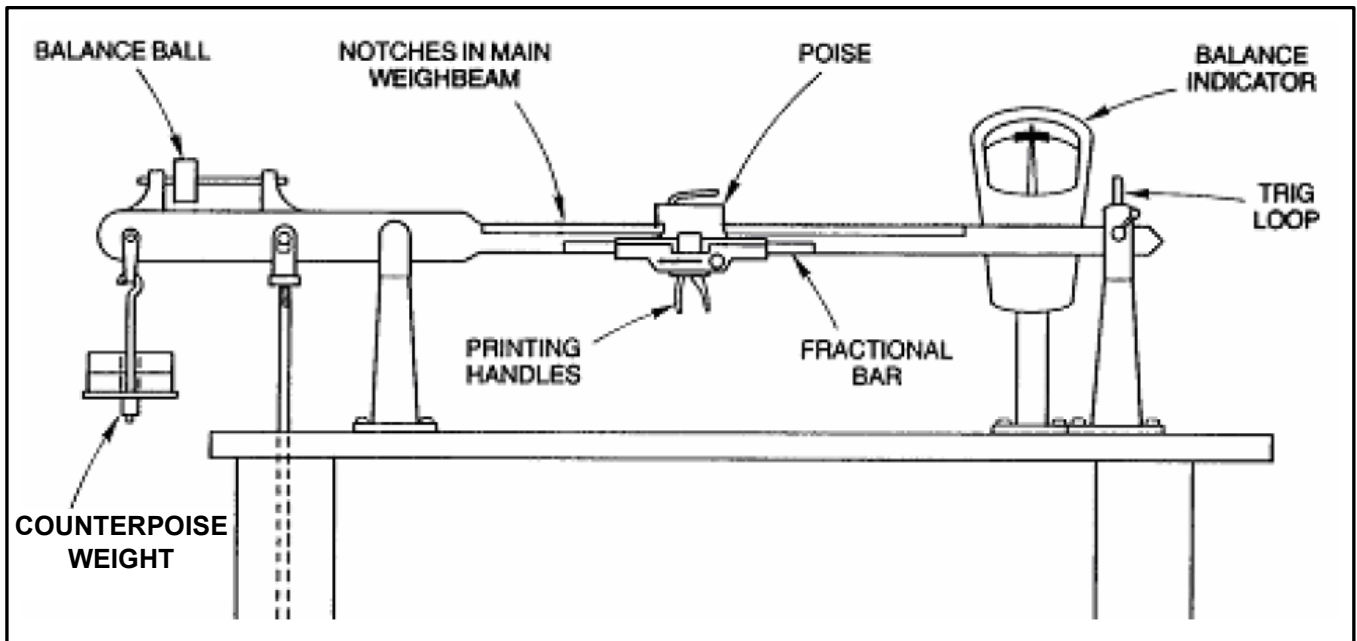


Figure 17 - Example Weighbeam Scale Components

EPO No. 8 - Small Capacity Scales (less than 2,000 lb Capacity)
 BPC Div. 5, 4 CCR § 4000. 1.10. General Code, and
 4 CCR § 4000. 2.20. Scales Code

Appendix F: CATEGORIES OF DEVICE METHODS OF SEALING

| <i>Table S.1.11. Categories of Device and Methods of Sealing</i> | |
|---|---|
| <i>Categories of Device</i> | <i>Methods of Sealing</i> |
| Category 1: No remote configuration capability. | <i>Seal by physical seal or two event counters: one for calibration parameters and one for configuration parameters.</i> |
| Category 2: Remote configuration capability, but access is controlled by physical hardware. <i>The device shall clearly indicate that it is in the remote configuration mode and record such message if capable of printing in this mode.</i> | <i>The hardware enabling access for remote communication must be at the device and sealed using a physical seal or two event counters: one for calibration parameters and one for configuration parameters.</i> |
| Category 3: Remote configuration capability access may be unlimited or controlled through a software switch (e.g., password). | <i>An event logger is required in the device; it must include an event counter (000 to 999), the parameter ID, the date and time of the change, and the new value of the parameter. A printed copy of the information must be available through the device or through another on-site device. The event logger shall have a capacity to retain records equal to 10 times the number of sealable parameters in the device, but not more than 1000 records are required. (Note: Does not require 1000 changes to be stored for each parameter.)</i> |
| <i>[Nonretroactive as of January 1, 1995] (Table added 1993)</i> | |

Figure 18 - Image of Table S.1.11. Categories of Device Methods of Sealing